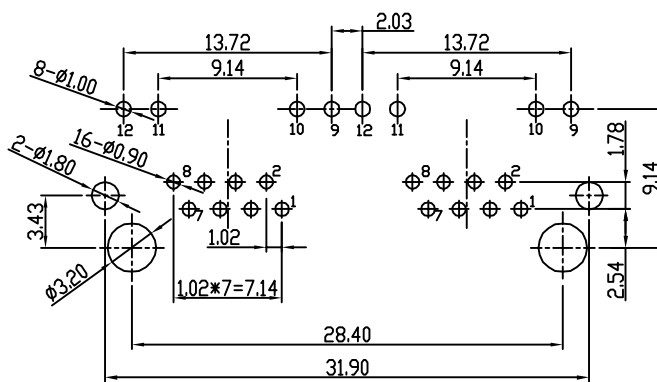
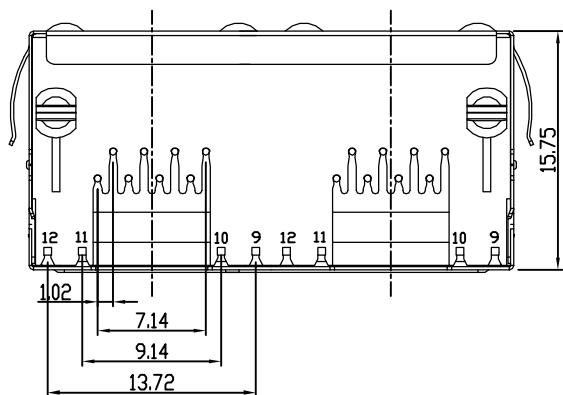
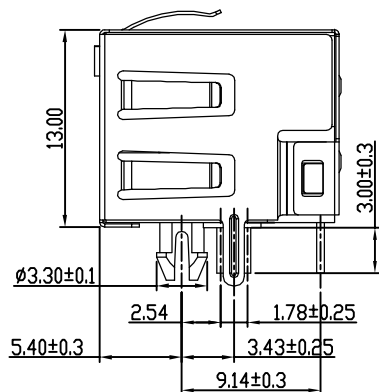
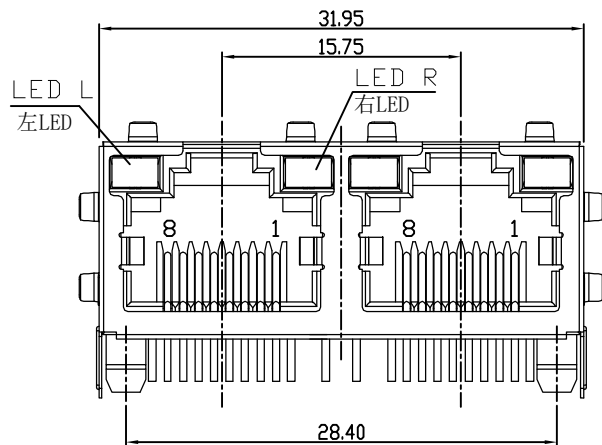


REV.	ECN.NO.	NAME	DATA
A0	NEW	MIN-D	2020-05-22



Recommend PCB Layout
(Jack Top View)
TOLERANCES:±0.05

SPECIFICATION NOTES:

ELECTRICAL:

1. VOLTAGE RATING: 125 VAC RMS
2. CURRENT RATING: 1.5 AMP
3. CONTACT RESISTANCE: 30mΩ MAX.
4. INSULATION RESISTANCE: 500MΩMIN. AT 500V DC.
5. DIELECTRIC STRENGTH: 1000 VAC 50Hz 1MINUTE

MECHANICAL:

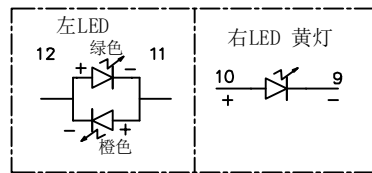
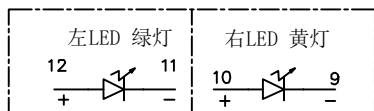
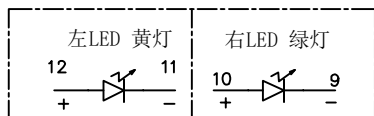
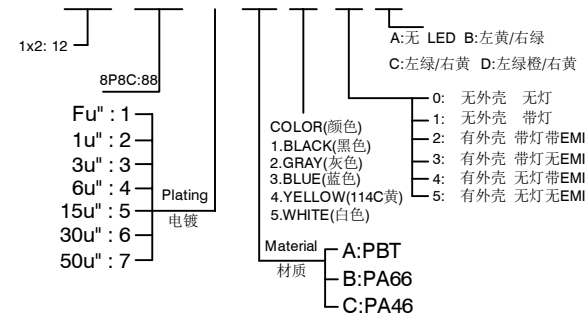
1. HOUSING MATERIAL:
SEE PART NUMBER.
2. CONTACTS: Ø0.46mm PHOSPHOR BRONZE, GOLD PLATING OVER NICKEL
3. SHIELD: 0.20mm THICKNESS COPPER ALLOY WITH NICKEL PLATED.
4. OPERATING LIFE: 750 CYCLES MIN.
5. MATING FORCE: 30N MAX.
UNMATING FORCE: 30N MAX.

ENVIRONMENTAL:

1. STORAGE: -40°C TO +85°C
2. OPERATION: -40°C TO +85°C

PART NUMBER:

5J-XX 88 X X X 2-X



DETACHED LISTS		公差 TOLERANCES	
MM	(INCH)	MM	MM
0.20 ± 0.20		.0 ± 0.38	
.00 ± 0.15		.00 ± 0.25	
.00 ± 0.075		.000 ± 0.15	
角度 (ANGLES) ± 1.5°			
第三视图			

绘图 (Designed) MIN-D 2020-05-22				XWJ 东莞市欣旺久电子有限公司 XIN WANG JIU Electronics Co.,Ltd	
审核 (Checked)		名称 (NAME)			
批准 (Approved)		RJ XWJ-5J 8P8C 1X2 全包 带灯带弹			
材料 (Material) SEE NOTES		图号 (DWG NO.):		版本 (REV.) A0	
比例 (SCALE) 1:1		料号 (PART NO): 5J-XX88XXX2-X			
		单位 (UNIT): MM		共 (SHEET) 1 页 第 (OF) 1 页	